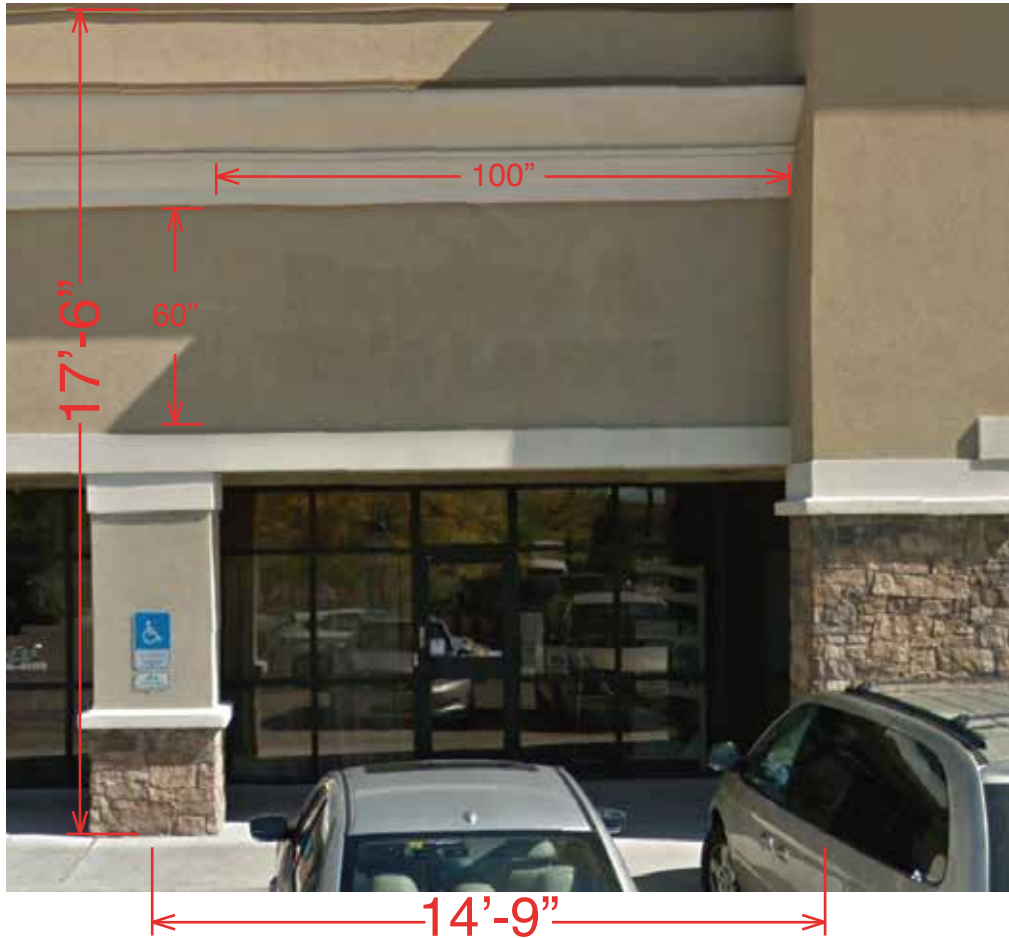


# ELEVATION

Allowed sign square footage is 262.24.

## EXISTING



## SITE PLAN



## RENDERING



522 W 700 S  
SLC, UT 84101  
801.748.1177  
mgraphicsinc.com

PROJECT INFO

PROJECT NAME: Farmers Insurance  
PROJECT ADDRESS: 226 E Crossroads Blvd, Saratoga Springs, UT 84045  
The design depicted herein is the sole property of M&S inc., and may not be reproduced in whole or in part without prior written consent from the company. Unauthorized use, reproduction and/or display shall render the infringer liable for up to \$150,000 in statutory damages, plus attorneys fees and cost for each infringement.

### SIGNAGE APPROVAL

- Approved
- Approved with changes
- Non Approved

### Customer Approval

Customer Signature

Date

# ELEVATION

Allowed sign square footage is 20.97 sq. ft.  
Proposed signage is 16.64 sq. ft.

Not Illuminated

FLAT CUT LETTERS

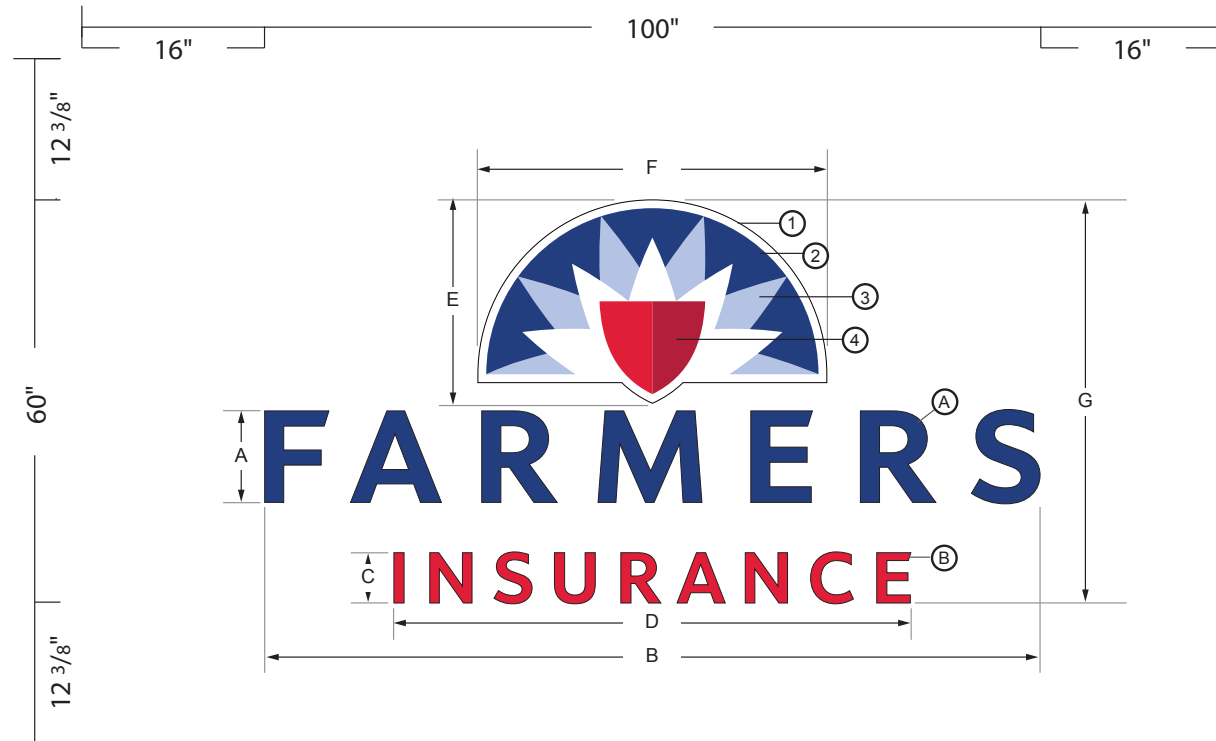
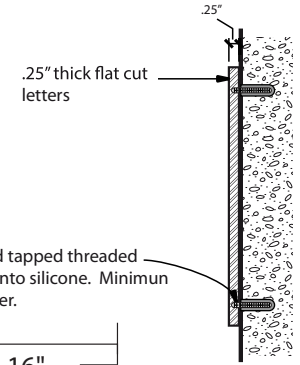
- A) 1/4" Aluminum Letters Painted (PMS 287c)
  - B) 1/4" Aluminum Letters Painted (PMS 186c)
- Shield:

- 1) 1/4" Aluminum Painted White (\* 3/8" Aluminum)
- 2) Dark Blue: 3M Translucent Film - European Blue/3630-137
- 3) Light Blue: 3M Translucent Film - Evening Blue/3630-317
- 4) Dark Red: 3M Translucent Film - Dark Red/3630-73  
& Light Red: 3M Translucent Film - Lt. Tomato Red/3630-43

Font: Imported Image

\*Stud Mounted \*Install Pattern Included

Drilled and tapped threaded studs, set into silicone. Minimum (2) per letter.



## 1 FARMERS TRANSLUCENT VINYL SWATCHES

- 3M EUROPEAN BLUE TRANSLUCENT VINYL 3630-137
- 3M EVENING BLUE TRANSLUCENT VINYL 3630-317
- 3M TOMATO RED TRANSLUCENT VINYL 3630-43
- 3M DARK RED TRANSLUCENT VINYL 3630-73

Farmers Insurance Stacked Letter Set Size Chart

A	B	C	D	E	F	G	Sq Ft
8.00"	68.00"	4.40"	45.25"	17.88"	30.63"	35.25"	16.64

Unit Size (Example: 10" = 10 Inch Set of Letters, 18" = 18 Inch Set of Letters, etc.)



522 W 700 S  
SLC, UT 84101  
801.748.1177  
mgraphicsinc.com

PROJECT INFO

PROJECT NAME: Farmers Insurance

PROJECT ADDRESS: 226 E Crossroads Blvd, Saratoga Springs, UT 84045

The design depicted herein is the sole property of MG&S inc., and may not be reproduced in whole or in part without prior written consent from the company. Unauthorized use, reproduction and/or display shall render the infringer liable for up to \$150,000 in statutory damages, plus attorneys fees and cost for each infringement.

SIGNAGE APPROVAL

- Approved
- Approved with changes
- Non Approved

Customer Approval

Customer Signature

Date